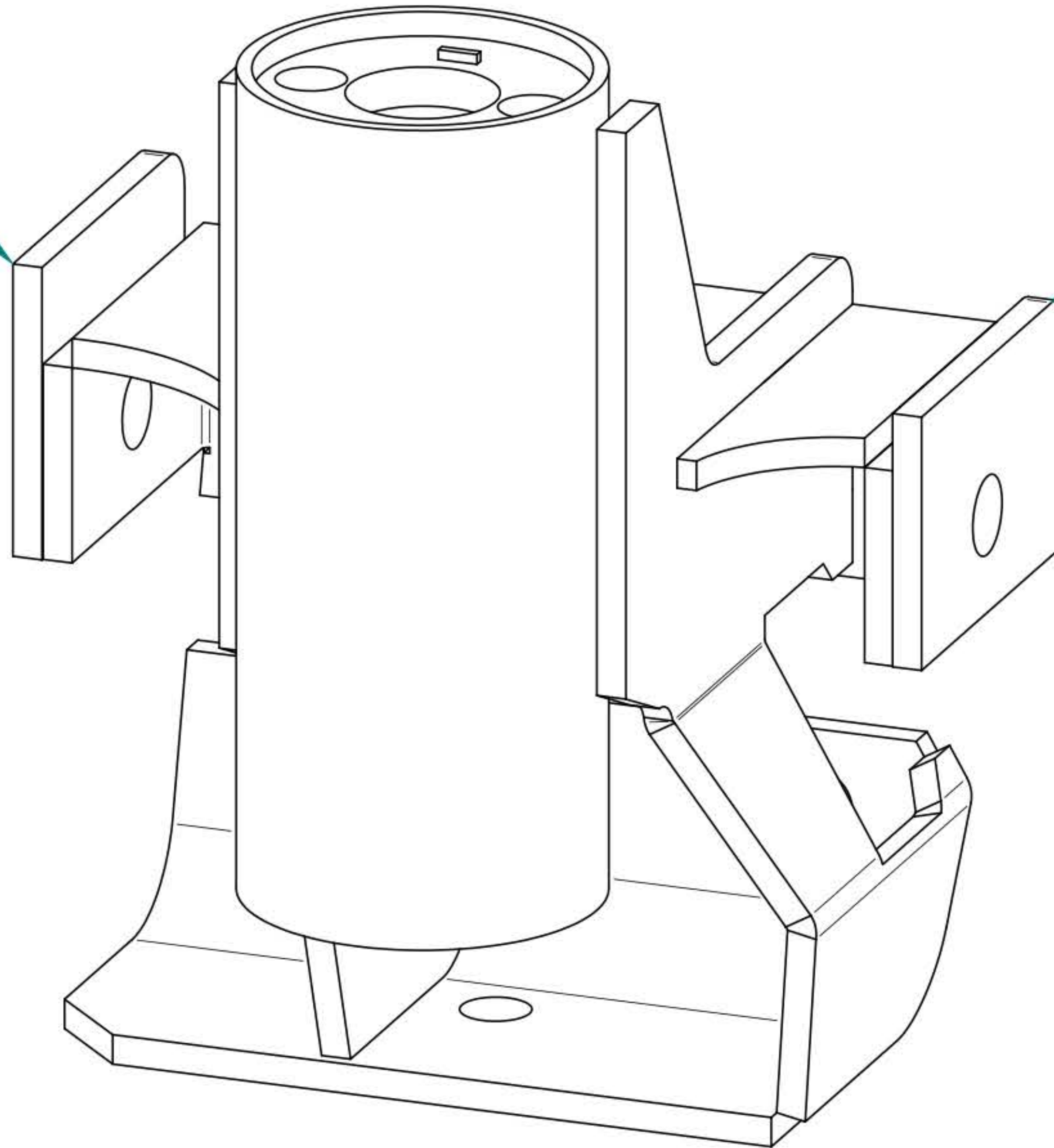


REVISION HISTORY			
REV	DESCRIPTION	DATE	APPROVED

Front of Truck

Front Frame Tab
(Long)

Rear Frame Tab
(Short)



Passenger Side Shown

	NAME	DATE	Solid Edge	
DRAWN	Travis Est	6/11/19	TITLE	
CHECKED			Bronco Rear Bolt-on Bumpstop	
ENG APPR			SIZE	DWG NO
MGR APPR			D	
UNLESS OTHERWISE SPECIFIED DIMENSIONS ARE IN INCHES ANGLES *XX*			FILE NAME:	Rear Bump Stop Mount.dft
2 PL *XXX 3 PL *XXXX			SCALE:	WEIGHT:
			SHEET	1 OF 1